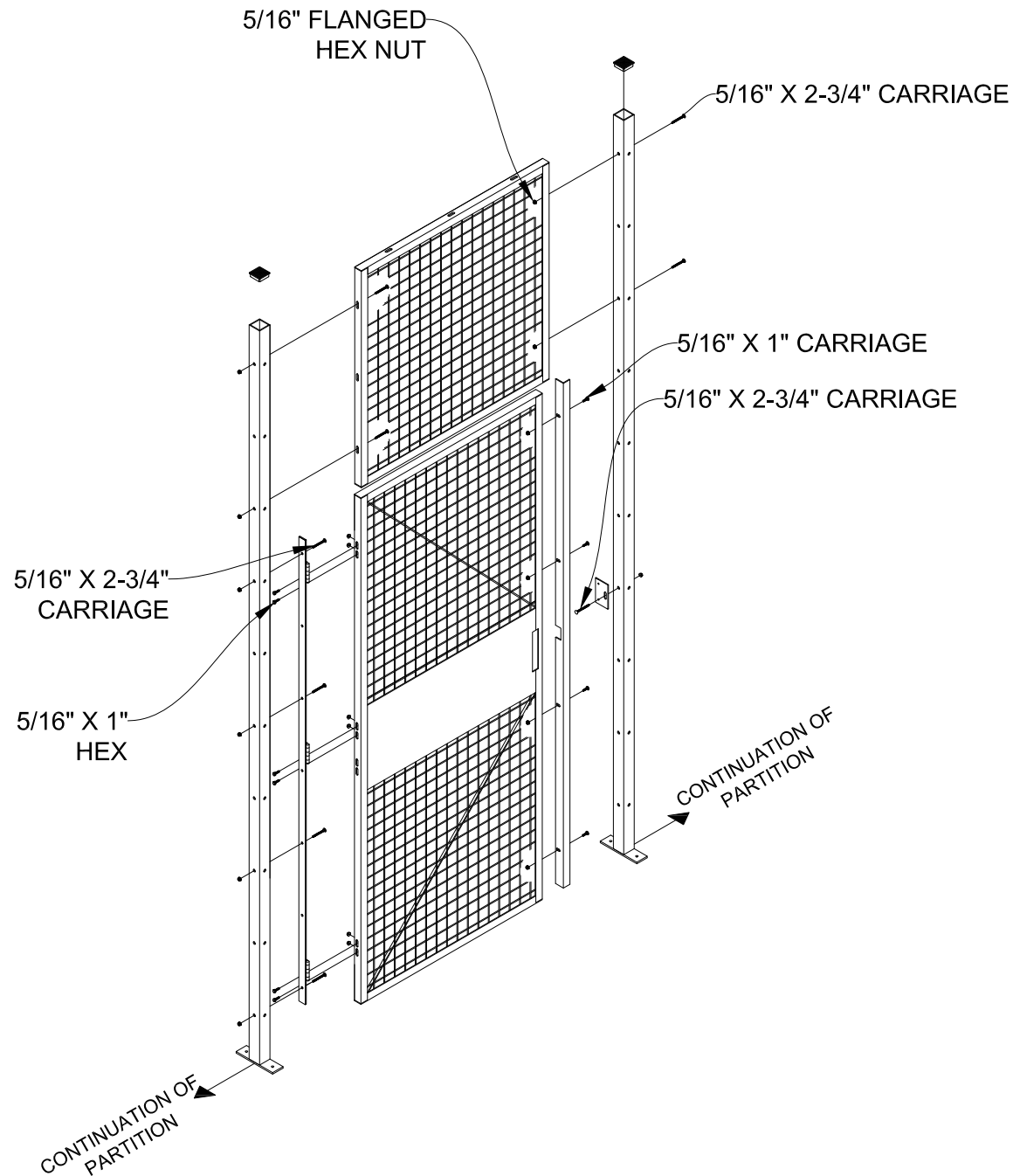
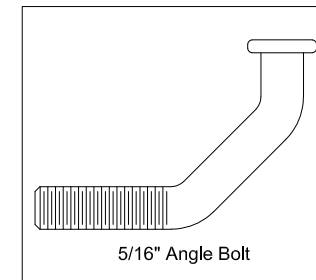


TYPICAL PANIC BAR DOOR INSTALLATION

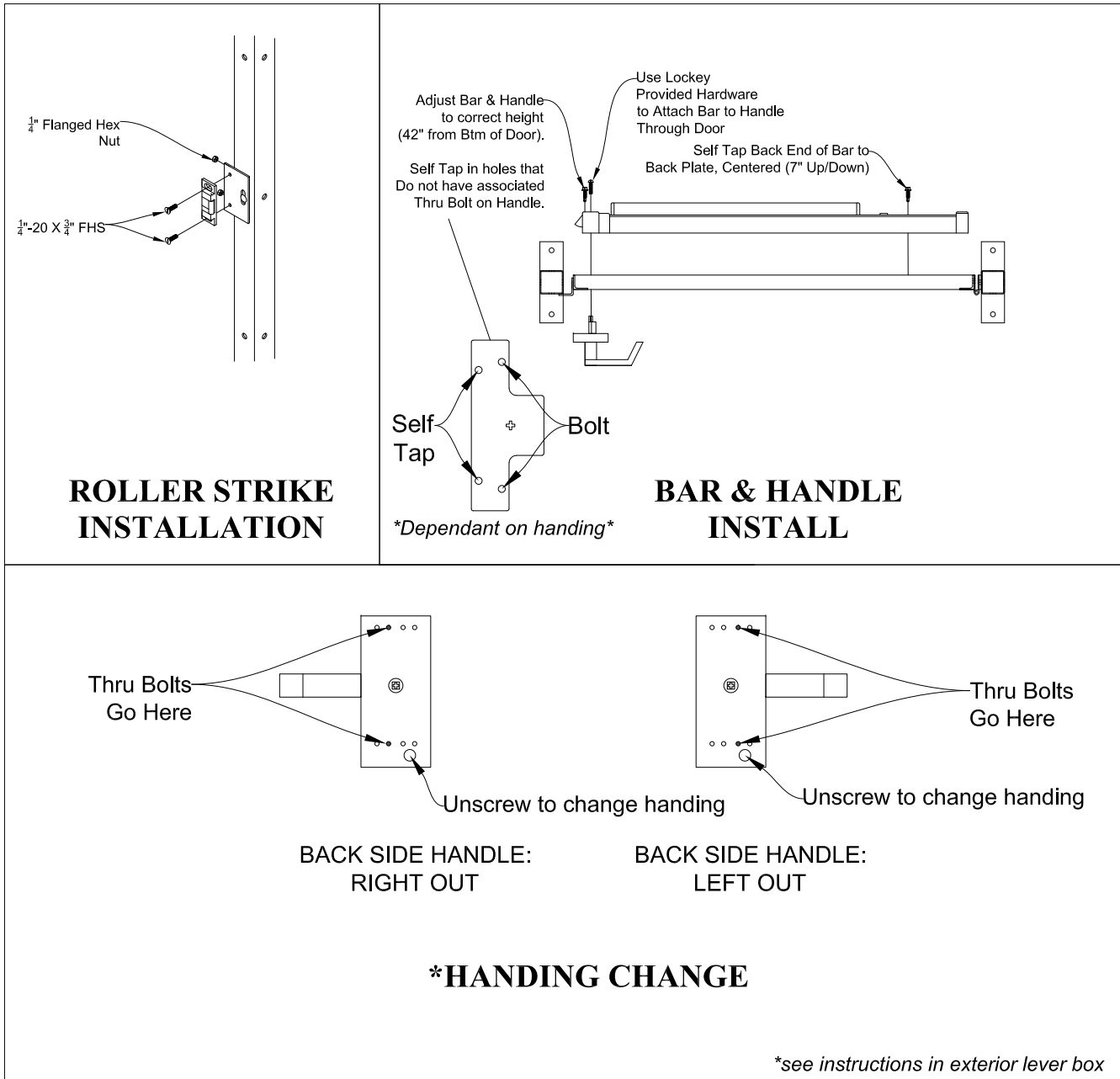


*NOTE that 2-3/4" Carriage Bolts & 3" Hex bolts are illustrated in the event that partition continues in both directions.

If your partition walls **do not continue** in one or both directions, below 5/16" Angle bolts have been provided to keep hardware on secured side as well and to minimize door/hardware interference.



TYPICAL PANIC BAR DOOR INSTALLATION



WHILE INSTALLING, REFERENCE LOCKEY INSTALL INSTRUCTIONS.

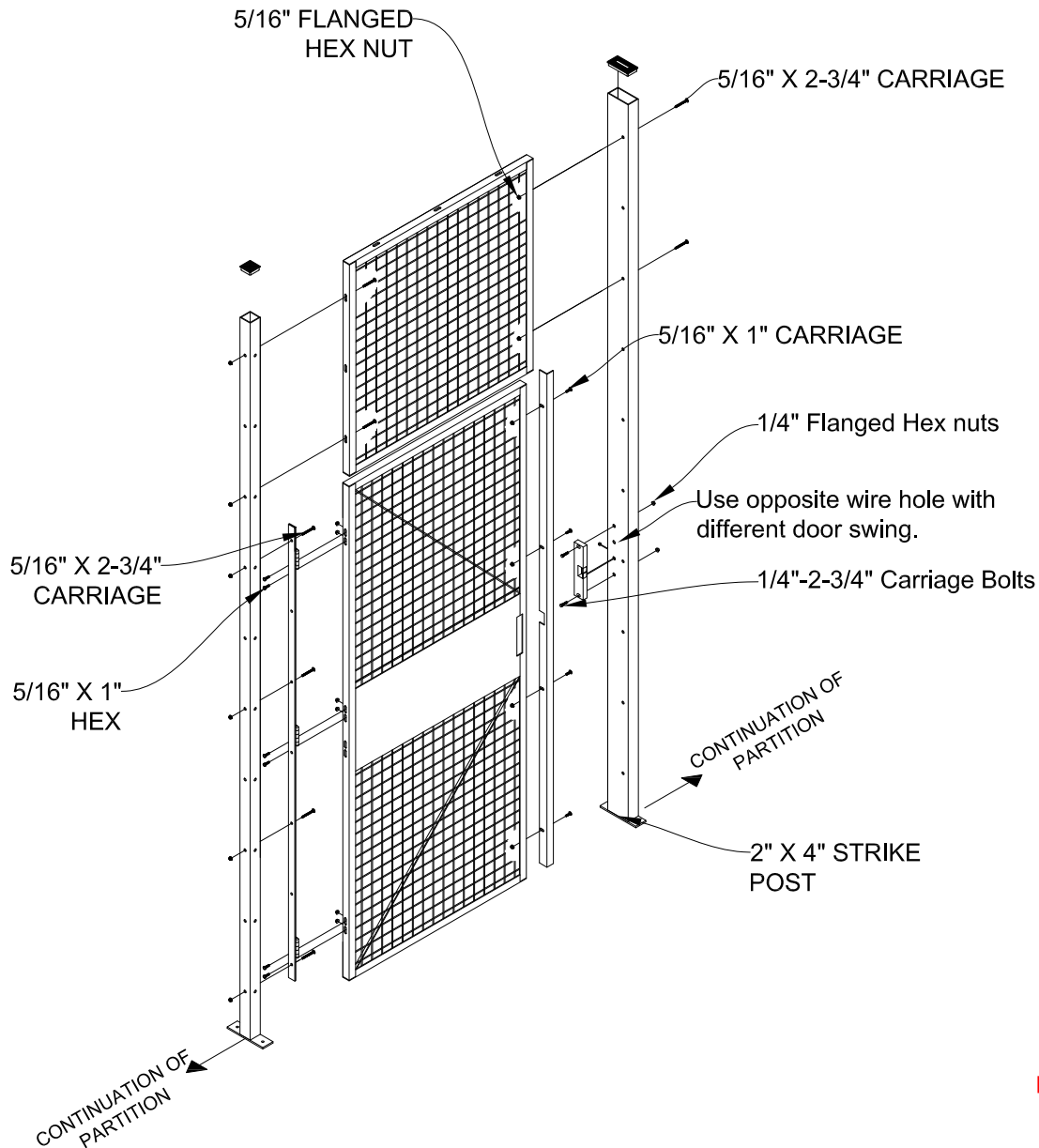
SPECIFICALLY FOR:

- CYLINDER INSTALL
- HEAD & END COVERS
- SPINDLE INSTALL

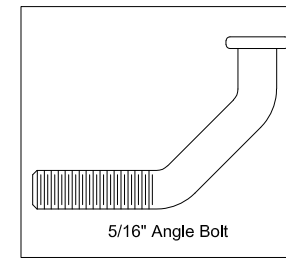
*Spindle Spring is not used on our doors!!

TYPICAL PANIC BAR DOOR INSTALLATION

ELECTRIC STRIKE OPTION



*NOTE that 2-3/4" Carriage Bolts & 3" Hex bolts are illustrated in the event that partition continues in both directions.
 If your partition walls **do not continue** in one or both directions, below 5/16" Angle bolts have been provided to keep hardware on secured side as well and to minimize door/hardware interference.



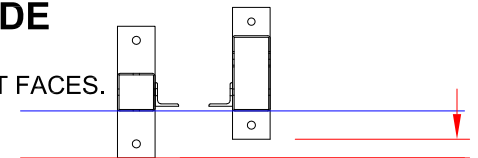
NOTE: Unless specified at time of order, a typical Panic Bar assembly WILL NOT include the Electric Strike Option.

Wires to go through the 5/8" Dia. Holes in post to opposite side of Strike post.

See Installation details of the Hes 9600 for Electrical Specifications and wiring to Access Control System (not provided by Spaceguard Products).

INSIDE

ALIGN POST FACES.



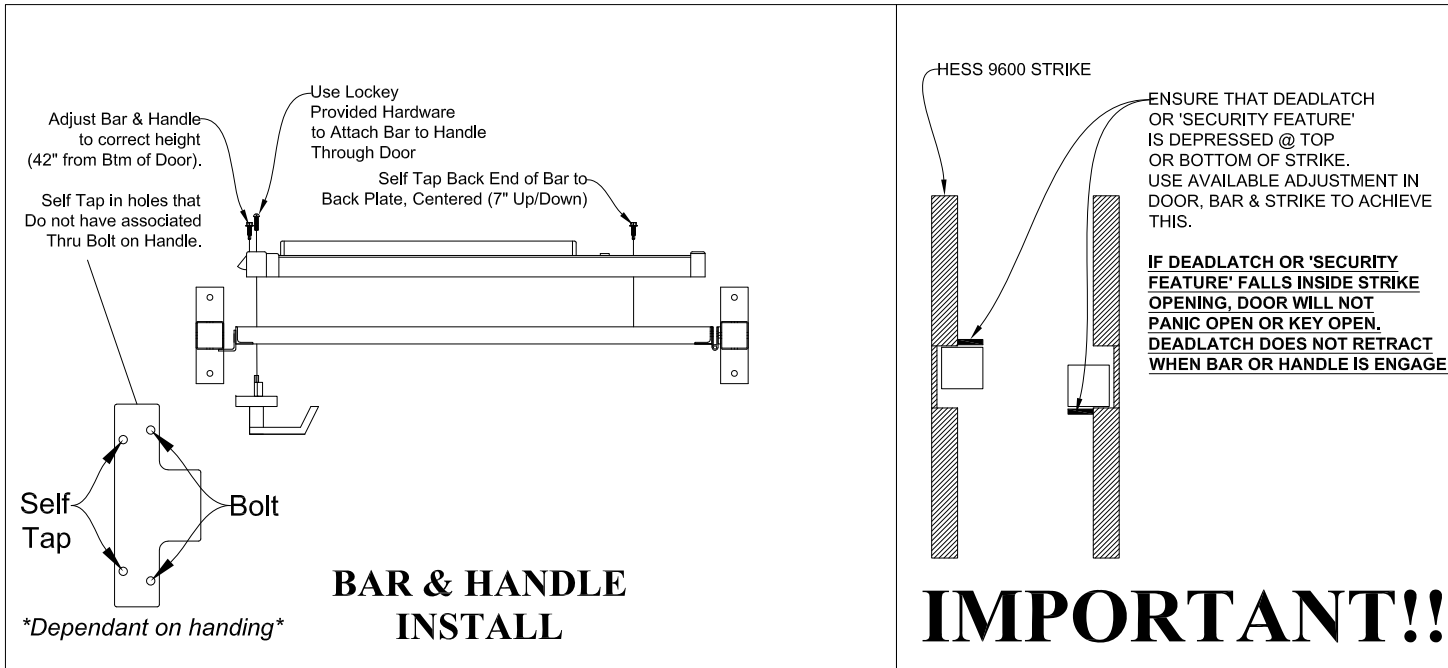
DO NOT ALIGN BASES.

**STRIKE POST
 BASE OFFSET
 TO INSIDE BY 1"!**

OUTSIDE

TYPICAL PANIC BAR DOOR INSTALLATION

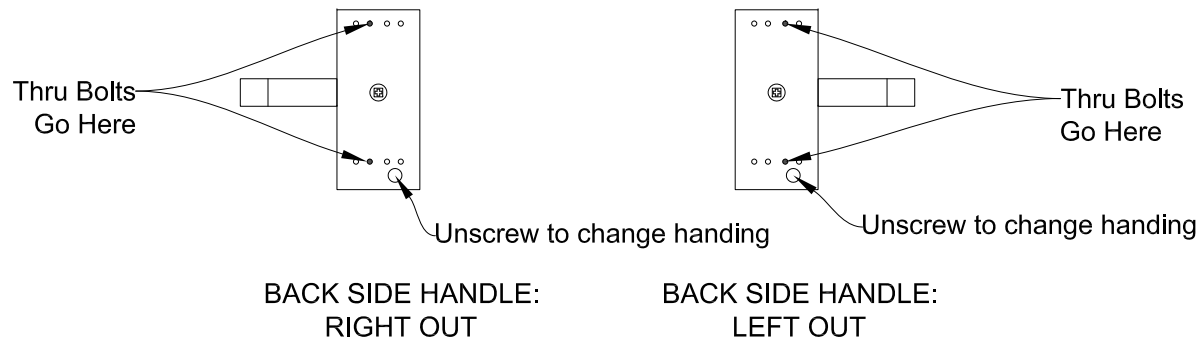
ELECTRIC STRIKE OPTION



WHILE INSTALLING, REFERENCE LOCKEY INSTALL INSTRUCTIONS.

SPECIFICALLY FOR:
 -CYLINDER INSTALL
 -HEAD & END COVERS
 -SPINDLE INSTALL

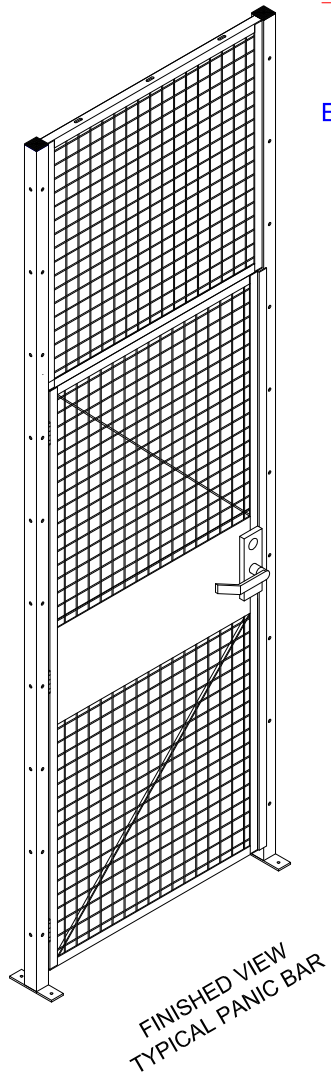
**Spindle Spring is not used on our doors!!*



***HANDING CHANGE**

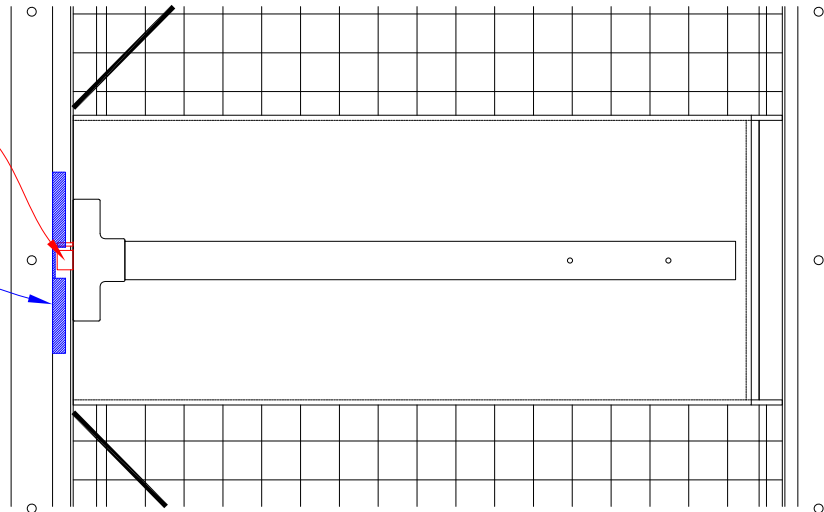
**see instructions in exterior lever box*

FINISHED PANIC BAR VIEW



LATCH & DEADLATCH,
REFERENCE
IMPORTANT NOTE
PAGE 4.

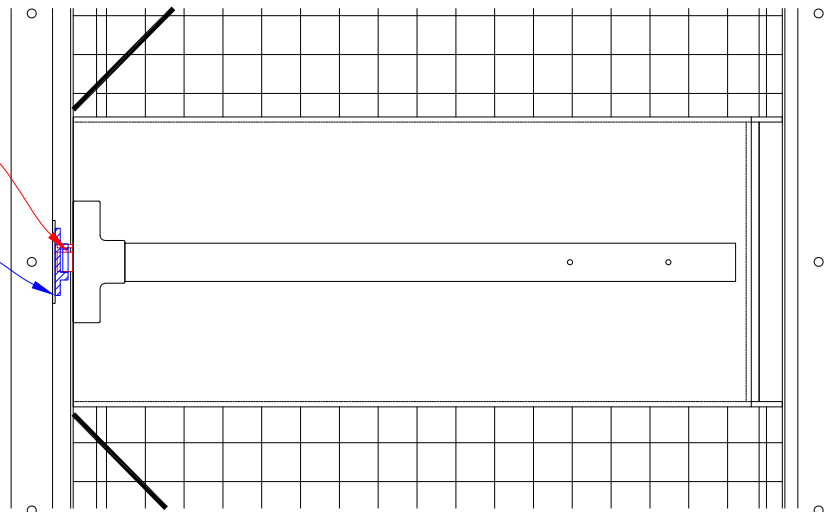
HES 9600
ELECTRIC STRIKE



ELECTRIC STRIKE OPTION,
SEE RIGHT

LATCH &
DEADLATCH

TYPICAL STRIKE



TYPICAL PANIC BAR,
SEE LEFT

