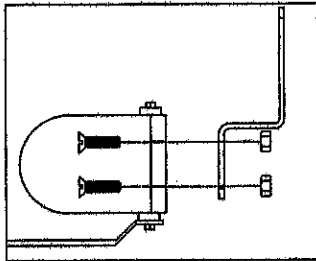
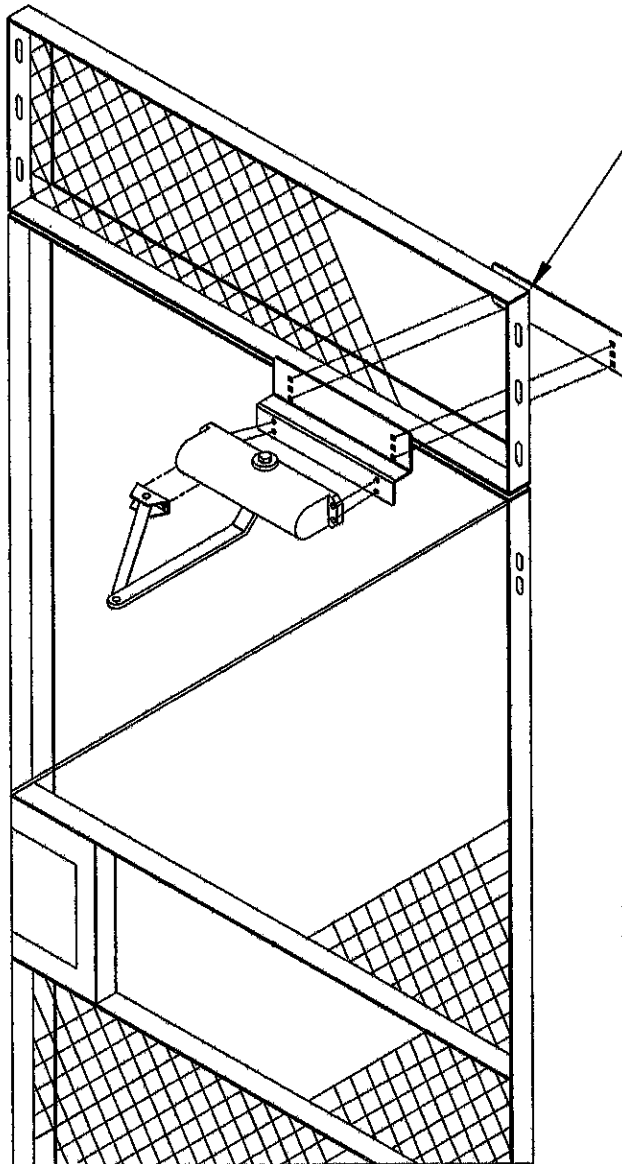
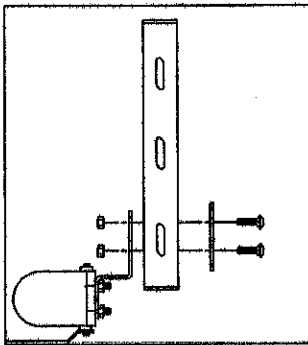


HYDRAULIC CLOSER INSTALLATION



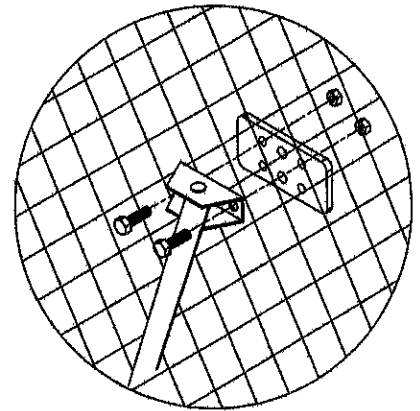
STEP 1
BOLT HYDRAULIC CLOSER
TO Z-BRACKET
USING $\frac{1}{4}$ "x1" FLAT HEAD
SCREWS (4)
BEFORE ATTACHING
Z-BRACKET TO TRANSOM

STEP 2
BOLT CLOSER AND
Z-BRACKET THRU TRANSOM
MESH TO 3"x12" MOUNTING
BRACKET USING
 $\frac{1}{4}$ "x1" CARRIAGE BOLT (4)



TRANSOM
INSIDE VIEW

STEP 3
BOLT CLOSING ARM
THROUGH DOOR MESH TO
2"x4" MOUNTING PLATE
USING $\frac{1}{4}$ "x1" HEX BOLT (2)



ATTACH HYDRAULIC CLOSER TO
BOTTOM CORNER OF TRANSOM
OPPOSITE OF LOCK